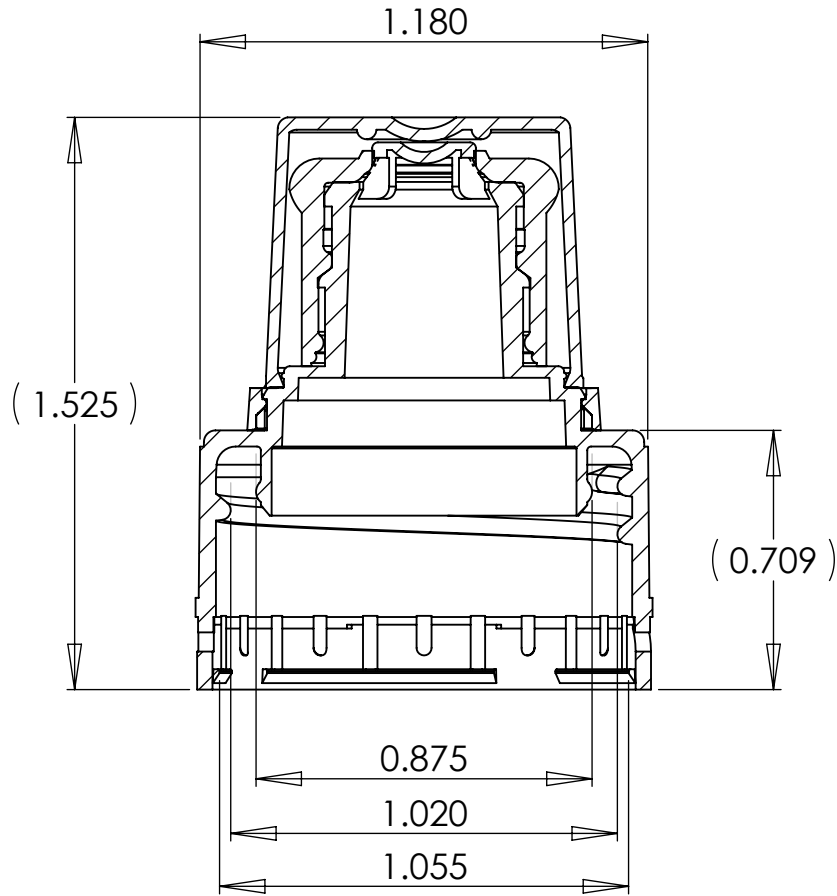


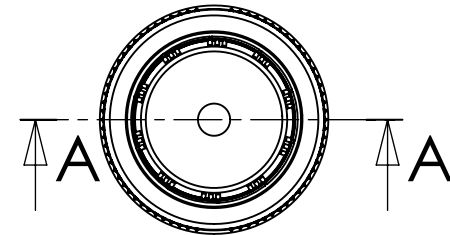
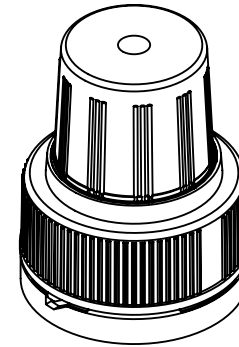
CLOSURE FEATURES

3000 Closures Per Case
 Single Thread Lead
 Tamper Evident Band

REVISIONS			
REV.	DESCRIPTION	DATE	DWN
A	REMOVED RECOMMENDED APPLICATION TORQUE	3/19/07	TN
B	UPDATED TITLE BLOCK AND LOGO	6/10/08	CDY



SECTION A-A
 SCALE 2 : 1



CONFIDENTIAL

**Uncontrolled Document -
 Will Not be Updated**

ipecc INTERNATIONAL PLASTICS
 & EQUIPMENT CORP.

TITLE:
**28MM SPORT VALVE
 (SFT)**

UNLESS OTHERWISE SPECIFIED:
 -DIMENSIONS ARE IN INCHES
 -TOLERANCES ± 0.007"

SIZE A	DWG. NO. A400052	REV A
------------------	---------------------	-----------------

DRAWN BY: C.YEAGLEY	SCALE: 1:1	WEIGHT: 5.15g	SHEET 1 OF 1
---------------------	------------	---------------	--------------