

3

2

1

D

D

C

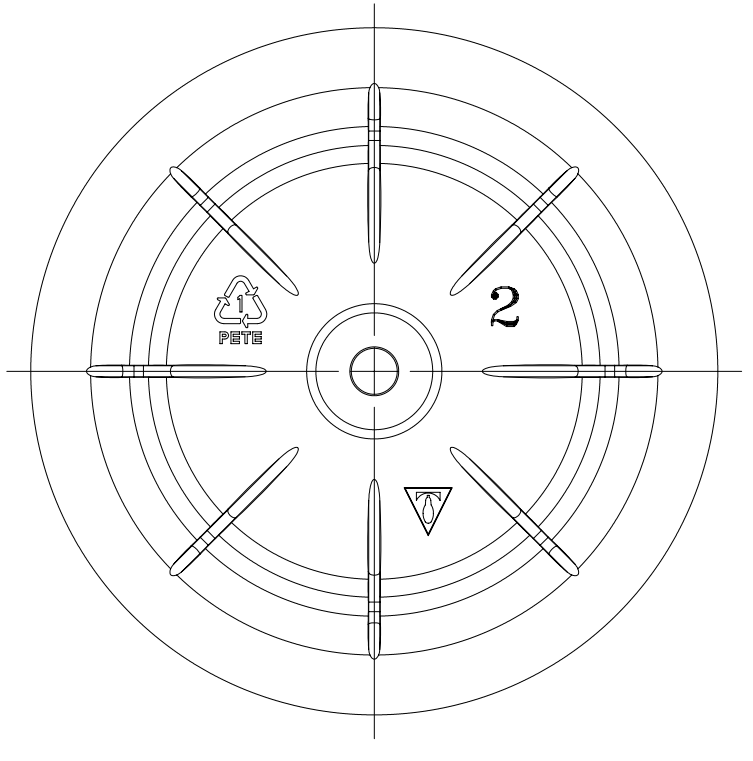
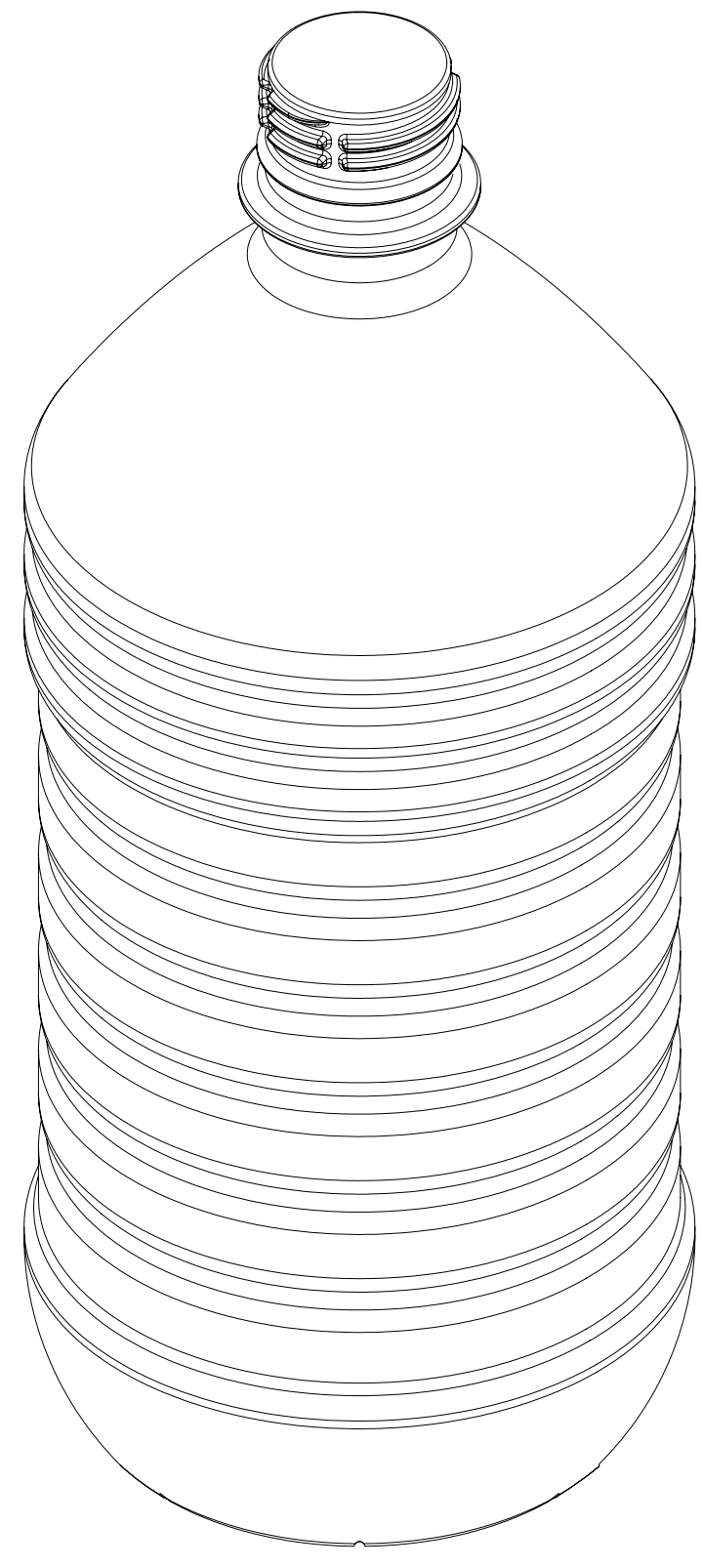
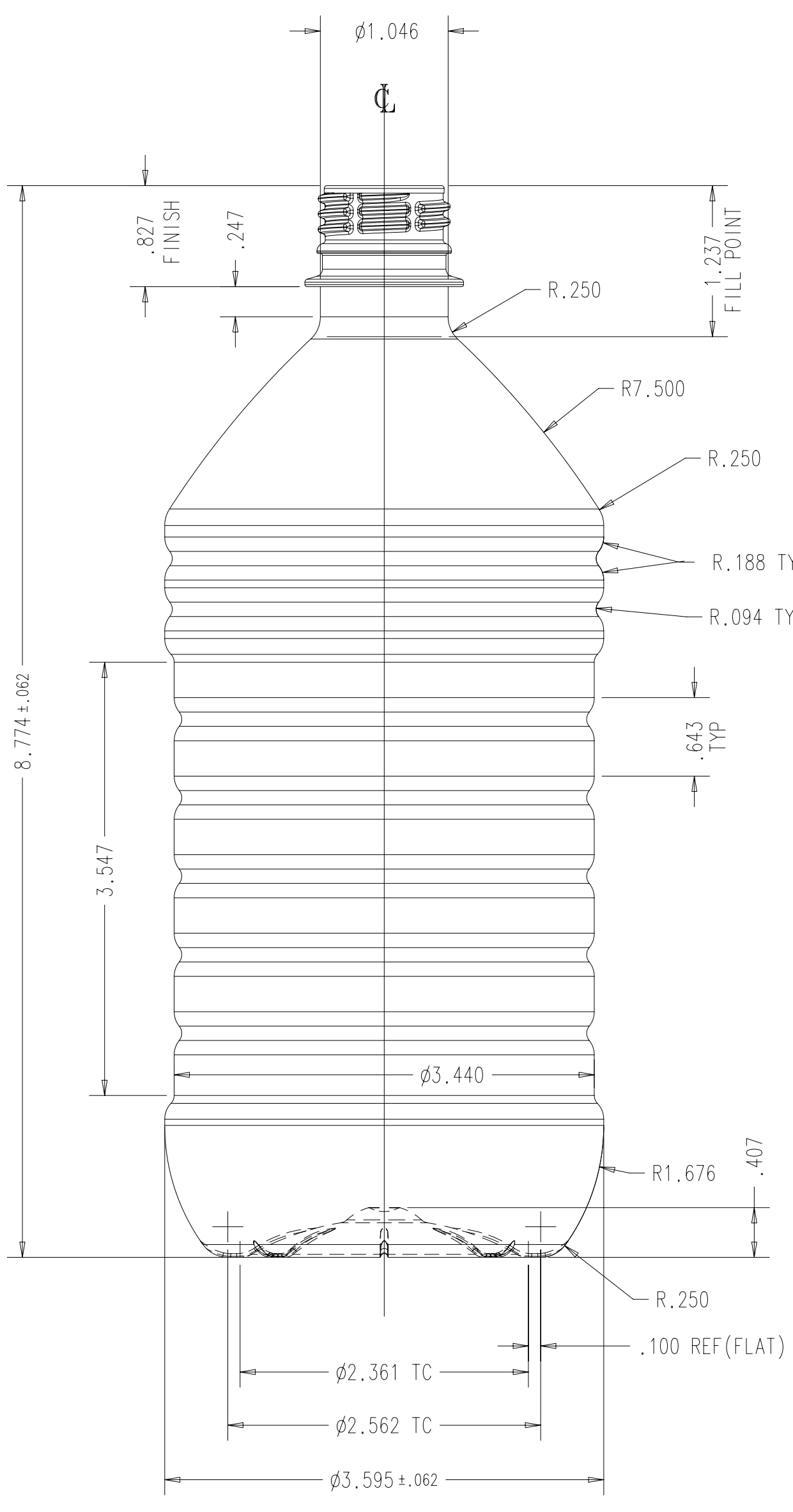
C

B

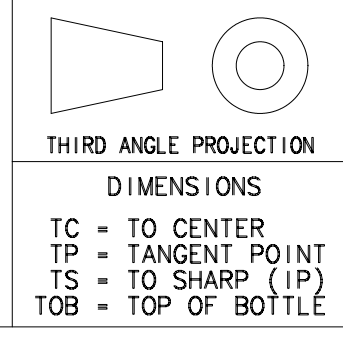
B

A

A



1. PREFORM WEIGHT : 27 g
2. FILL CAPACITY : 1000 ± 15 CC
3. OVERFLOW CAPACITY: 1033.88 ± 15 CC
4. ALL CALCULATION & VOLUMES APPROXIMATE UNTIL MANUFACTURE
5. ALL NOTES APPLIED UNLESS OTHERWISE SPECIFIED



CONFIDENTIAL		MAT'L: PETE		FINISH: 28MM-PCO	
THIS DRAWING AND THE INFORMATION HEREIN ARE CONFIDENTIAL AND NOT TO BE DISCLOSED WITHOUT THE EXPRESS CONSENT OF MOLD-SPEC INC.		DT'L BY: M.P.		MOLD-SPEC INC.	
		DATE: JULY-23-04			
		MD'L BY: M.P.		429 Dewitt Road, Unit 8 Stoney Creek, Ontario, L8E 4C3 E-Mail: engineering@moldspec.com Web Site: www.moldspec.com	
DATE: JULY-23-04		CUSTOMER: TRIUMBARI		PROD. No. -	
TOLERANCES		PRODUCT: 1000 ML ROUND		MACHINE: SIPA	
.X = ±0.010 .XX = ±0.005 .XXX = ±.001 ANGLES = ±30°		TITLE: PRODUCT DRAWING			
ALL DIMENSION ARE AT MMC UNLESS OTHERWISE SPECIFIED		SCALE: FULL & NOTED		JOB No. MS-3144	
		SHEET 1 OF 1		DWG No. C-3144-01	
				REV. -	

3

2

1